

XS R50 BUS

- Meets applicable marine requirements
- Is designed for Arctic environments with temperatures down to -40C
- Thermostatic controlled heating in motor and drum for optimal working conditions
- Stepless adjustable 360° horizontal and 55° vertical movement
- Electromagnetic compatibility (EMC)



Specifications

Xenon searchlights XS 500, XS 1000, XS 1600, XS 2000 and XS 3000 are suitable for all kinds of ships. The control system is based on TCP/IP technology where 9 different units of Xenon or Halogen searchlights can be connected to the same network through Ethernet cat 5 cables. There are several options of control panels both hard wired and wireless, which are fitted to standard solution.

All the components are chosen to withstand corrosion. The searchlights are designed for use in extreme marine environments and require a minimum of maintenance. Seawater-resistant aluminium housing finished with white polyester coating. Stainless steel forks and fittings. Benefiting from low weight and simple mounting, these searchlights are designed to operate across a wide range of temperatures.

Light source

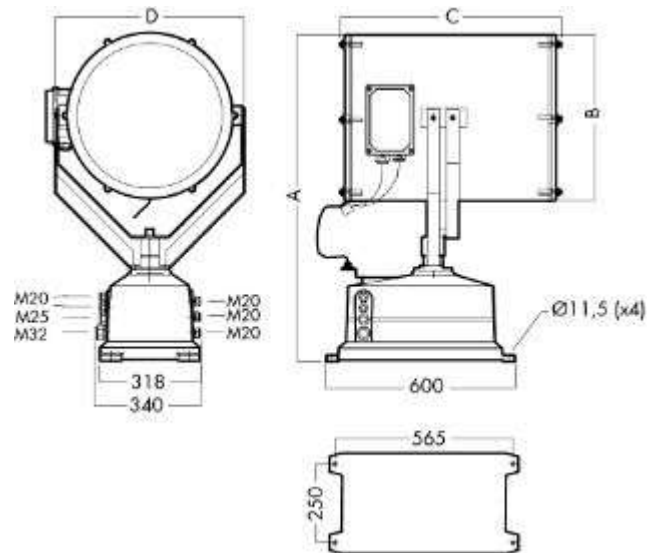
500, 1000, 1600, 2000 or 3000W Xenon lamp included. The colour distribution of the Xenon lamp makes it especially applicable for detection of ice and illuminates surface objects, as well as having a range 4 times longer than that of a Halogen light.

Mounting

To deck/base. Power supply unit in separate box.

Optics

Durable silver plated glass reflector. Remote controlled light distribution (stepless wide or narrow beam).





XS R50 BUS

Glamox NorseLight
Searchlight @ Xenon

Product Name	230V	A	B	C	D	Weight kg	Lamp Code	Base
XS 500 R50 SCS BUS	200201638	890	410	470	470	46.5	XBO	Norselight
XS 1000 R50 SCS BUS	200201338	930	425	610	515	49.5	XBO	Norselight
XS 1600 R50 SCS BUS	200201438	930	425	610	515	51.5	XBO	Norselight
XS 2000 R50 SCS BUS	200201538	1020	525	685	615	61.5	XBO	Norselight
XS 3000 R50 SCS BUS	200201238	1020	525	685	615	64.5	XBO	Norselight